

## Separable connectors and bushings - Interface A

PITO-E - Interface A - Plug-in termination

Nexans ref.: PITO-E

Up to 24 kV - 250 A  
 EUROMOLD plug-in termination

### Description

#### Application

- Separable termination designed to connect overhead lines or bus bars to equipment.
- Is suitable for indoor and outdoor use for medium polluted atmosphere.

#### Technical characteristics

Each plug-in termination is tested for AC withstand prior to leaving the factory.



### Standards

International CENELEC EN 50180;  
 CENELEC HD 629.1; IEC 60137

### Characteristics

Construction characteristics	
Connector shape	Bushing
Connector type	-
Technology	Slip-On
Conductor material	Bare copper
Dimensional characteristics	
Conductor cross-section, range	0 .. 0 mm <sup>2</sup>
Electrical characteristics	
Maximal partial discharge at 2U <sub>0</sub>	10 pC
Dielectric withstand voltage, 50Hz 1mn	55 kV
Impulse voltage	125 kV
Rated Voltage U <sub>0</sub> /U (Um)	12 / 20 (24) kV
Usage characteristics	
Interface	A (250 A)



Connector shape  
Bushing



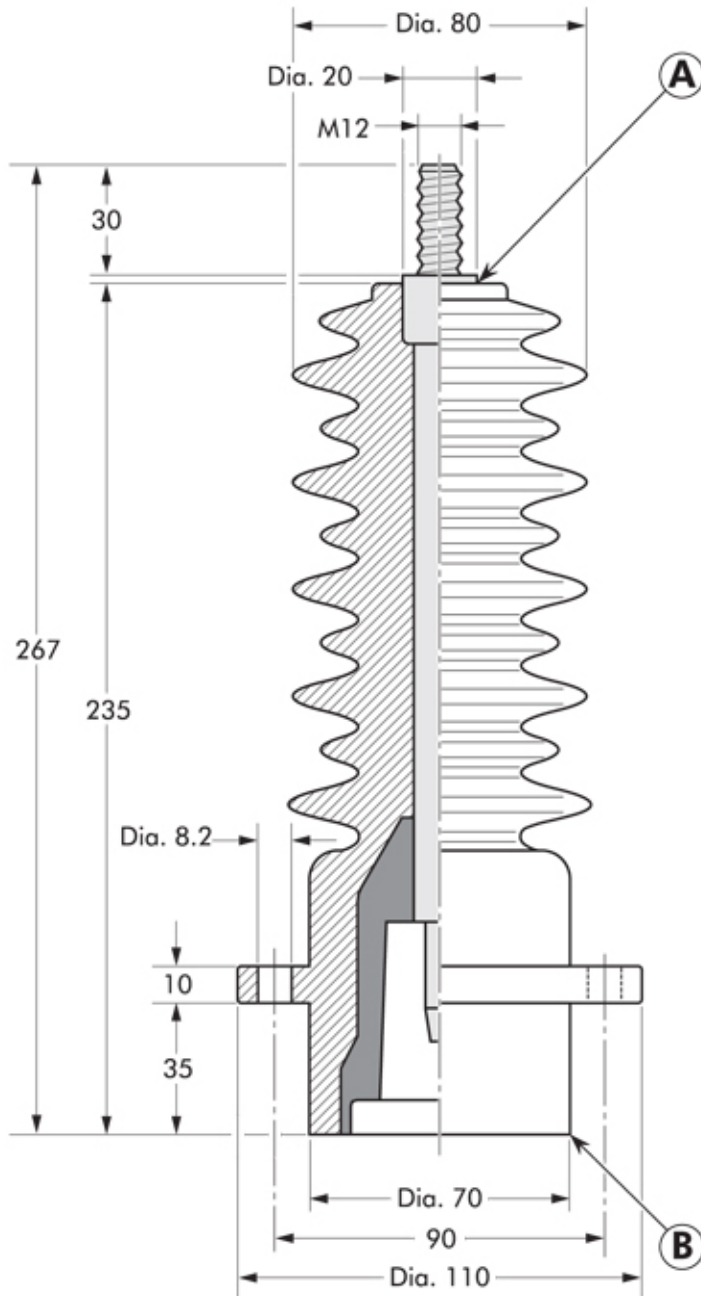
Rated Voltage U<sub>0</sub>/U (Um)  
12 / 20 (24) kV



Interface  
A (250 A)

**Separable connectors and bushings - Interface A**  
 PITO-E - Interface A - Plug-in termination

Design



Connector shape  
 Bushing



Rated Voltage  $U_0/U$  ( $U_m$ )  
 12 / 20 (24) kV



Interface  
 A (250 A)